

# TD-C358Z

**200kHz~30MHz Direction Finder**  
**With New Digital Electric Goniometer System**

**Direct viewing automatic direction finder  
 for professional fishing boat**



- **No limitation of feeder length with a new loop antenna matching system.**
- **Measured direction can be retained with the application of new circular histogram LCD display.**
- **Effective distance measurement using 5 steps sensitivity adjustment and large-sized vernier.**
- **Conform to international standard of IEC-60945.**

# Direct Viewing Automatic Direction Finder TD-C358Z

## Specifications

Direction display	LCD automatic display for omni-direction.
Receiver system	DDS Double superheterodyne.
Frequency range	200kHz-29,999.9kHz (0.1kHz digital indication)
Wave form	A1A, A2A, H2A, A3E, H3E, J3E (USB/LSB)
Spot reception	400 frequencies can be memorized.
Search reception	Configurable frequency in 10kHz unit for the range of 10kHz-1000kHz. Searching by 2kHz step. 4 programmable operation functions and 6 searching speed is available for an user.
Scanning reception	Possible to scan more than 10 frequencies (up to 1000 frequencies). 4 programmable operation functions and 6 scanning speed is available for an user.
Signal/Noise Ratio	MF band : Not less than 10dB at input of 50μV/m.
	MHF band : Not less than 10dB at input of 30μV/m.
Accuracy	MF band : within ±1° at an electric field of 1mV/m.
	MHF band : within ±2° at an electric field of 300μV/m.
Power supply	AC100/110/115V or AC200/220/230V of 50/60Hz 50VA

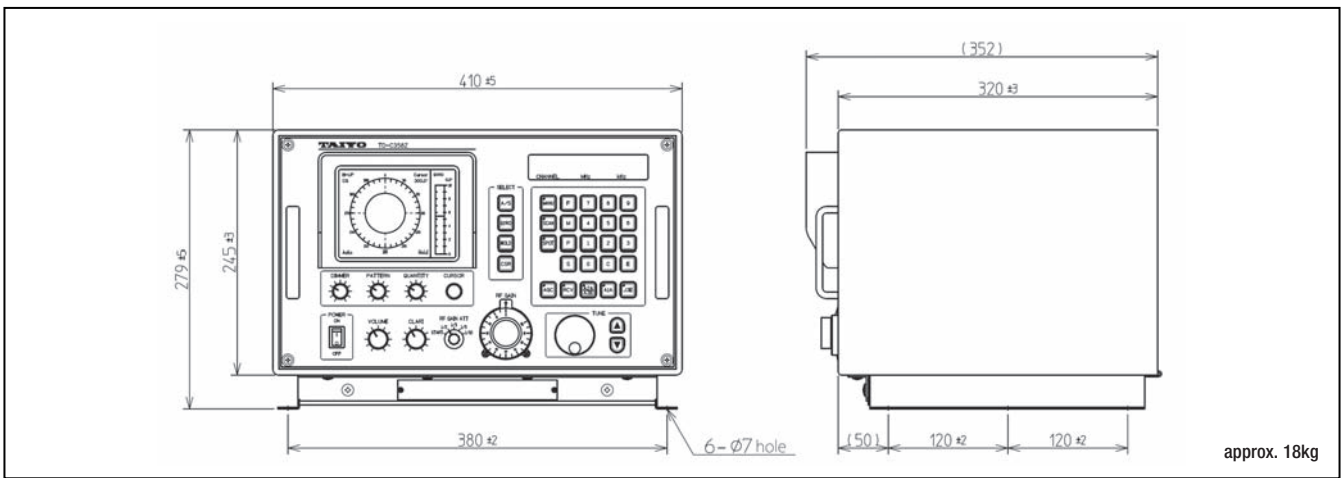
## Standard components

Component	Model	Q'ty
Main unit	TD-C358Z	1
Loop antenna	EL-85-05	1
Antenna cable	3 cores 3D-2V [MAX 100m]	1
Power supply cable	3 cores cap-tire [3m]	1
Installation materials		1 set
Spare parts		1 set
Accessories		1 set

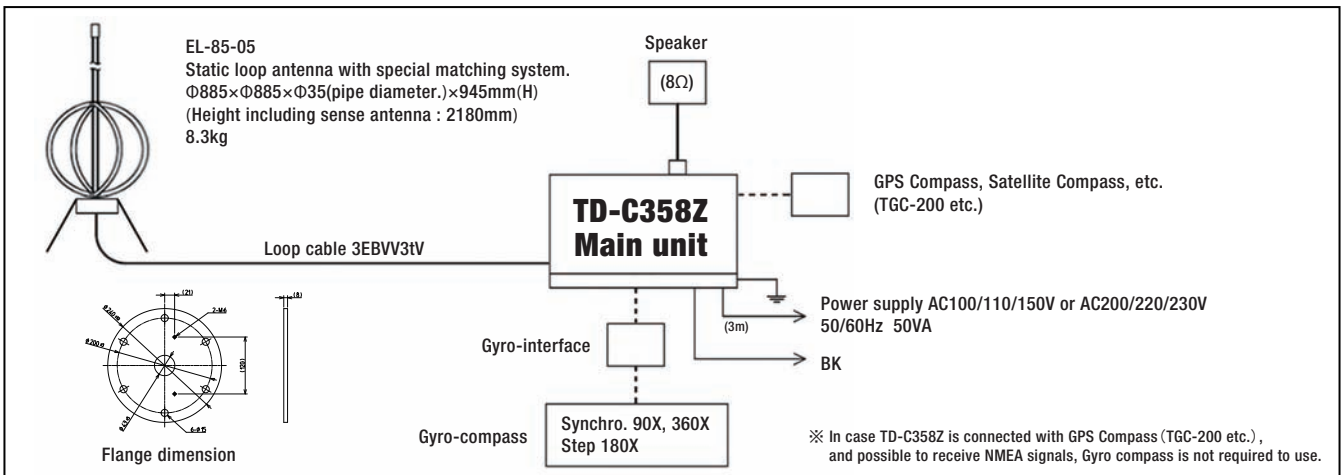
## Options

Component	Model	Q'ty
Gyro-compass	Synchro. 90X, 360X, Step 180X	1

## Outside view and dimensions



## System diagram



※ Specifications and design subject to change without notice for future improvement.

**TAIYO MUSEN CO.,LTD** <http://www.taiyomusen.co.jp>

Head office 2-11-18, Higashi-Kojiya, Ohta-ku, Tokyo 144-0033, JAPAN  
Tel:81-3-5735-1243 Fax:81-3-5735-1683

Shanghai office R/No.804, Jia Xing Building, No.877 Dong Fang Road,  
Pu Dong District, Shanghai 200122 P.R. China  
Tel:86-21-5130-8925 Fax:86-21-5130-8926



ISO9001  
ISO14001