

# VHF Automatic Digital Direction Finder

## TD-L1630



- 1 Frequency range, 100 MHz ~ 169.999MHz
- 1 Digital display of bearing data in 1° step, memory channel and frequency
- 1 Ring LED display of relative bearing data with 36 LEDs in 10° step
- 1 4 modes of reception, Manual / Search / Spot / Scan
- 1 Memory up to 30 frequencies for spot and scan reception
- 1 Data hold and automatic restart in search and scan reception
- 1 One-touch button operation for 121.5MHz and CH16
- 1 Compact and user-friendly

**VHF Automatic Digital Direction Finder TD-L1630 is the succeeding model of TD-L1620A adding the following functions with suitable structure for Flush Mount.**

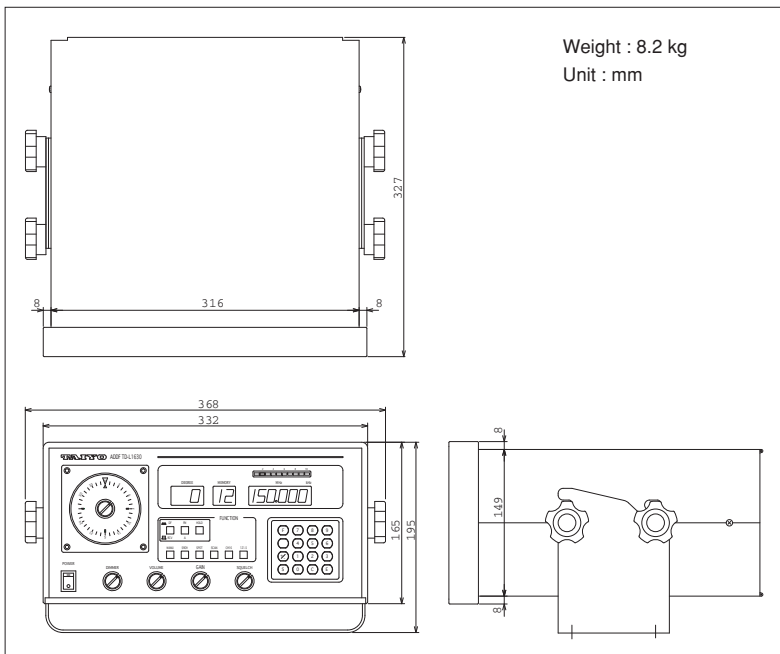
- 1 **User friendly operation panel - Single purpose switches are applied for function keys.**
- 1 **One-touch reception of 121.5MHz and 16 CH by individual push button.**
- 1 **Data output port (NMEA 0183, bearing data) is provided.**

## ▼ Specifications

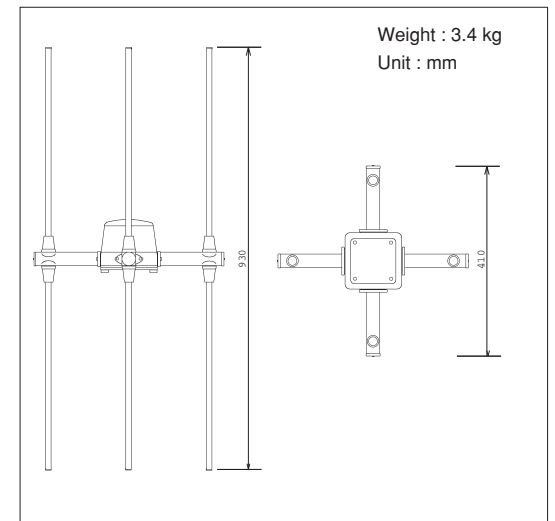
Receiving circuit	Synthesized Triple-superheterodyne
Bearing indicators	Digital, LCD 1° step Circle LED, 10° step
Frequency range	110 ~ 169.995 MHz, 5 kHz step
Receiving wave form	AM or FM
Spot reception	30 frequencies in memory channels
One-touch reception	121.5 MHz and 16 CH (individual push button)
Bearing accuracy	TD-L1630 Main unit: Better than $\pm 3^\circ$ (with Adcock antenna EA-351A: Estimated accuracy is better than $\pm 5^\circ$ )
Sensitivity	Minimum field strength $0.5\mu\text{V/m}$ in DF mode; $20\text{dB QS } 2\mu\text{V}$ in RCV mode
Selectivity	$\pm 6$ kHz or more at -6 dB $\pm 12$ kHz or less at -60 dB
Image rejection ratio	60 dB or more
Scanning reception	Scanning max. 10 frequencies/group x 3 groups (memory channel group)
Search reception	Fc (center frequency) $\pm 500$ kHz, 5 kHz step (Selectable any frequency within 110 ~ 169.995 MHz)
Data output	NMEA0183 (bearing data)
Audio output	1.8 W (impedance $4\Omega$ )
Input voltage	11 ~ 35 VDC
Antenna	H type Adcock antenna EA-351A
Antenna cable	Armored twin coaxial cable Standard: RG-58A/U (16m) Option: 5D-2V (17 ~ 29m), 8D-2V (30 ~ 50m)

## ▼ Outside view & Dimension

### Main unit



### Adcock antenna EA-351A



\*The above descriptions subject to change without notice.

## TAIYO MUSEN CO.,LTD.

Head office 2-11-18, Higashi-Kojiya, Ota-ku, Tokyo 144-0033 JAPAN  
Tel: 81-3-5735-1243 Fax: 81-3-5735-1683

Beijing office R/No.1318, 13F, Block B, Lucky Tower, Beijing 100027 P.R. China  
Tel: 86-10-6463-0921 Fax: 86-10-6463-0925

Taiwan Taiyo Musen Co., Ltd. 2F-2, No.288-6, Shin Ya Road, Chien Chen District, Kaohsiung  
Tel: 886-7-815-8075 Fax: 886-7-815-7319



ISO9001  
ISO14001

<http://www.taiyomusen.co.jp>